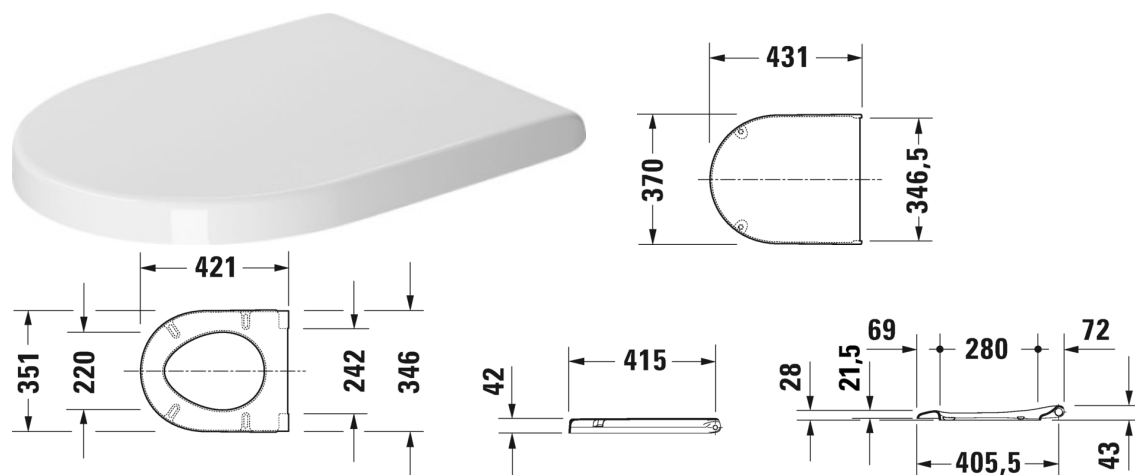


## Starck 3 Toilet seat and cover # 0063890000



Toilet seat and cover	Dimension	Weight	Order number
hinges stainless steel, removable, with soft closure			
<b>Colors</b>			
00 White Alpin			
<b>Variant</b>			
		2.100 kilogram	0063890000
<b>Suitable products</b>			
Toilet close-coupled washdown model, (without cistern), fixings included, vertical outlet, UWL class 2, 360 x 655 mm	360 x 655 mm		012601
Toilet close-coupled washdown model, (without cistern), fixings included, horizontal outlet, 360 x 655 mm	360 x 655 mm		012609
Toilet close-coupled (without cistern), washdown model, fixings included, 360 x 655 mm	360 x 655 mm		012809
Toilet floor standing for independent water supply, washdown model, fixings included, horizontal outlet, UWL class 2, 360 x 560 mm	360 x 560 mm		012409
Toilet wall mounted washdown model, UWL class 1, 360 x 540 mm	360 x 540 mm		220009
Toilet wall mounted washout model, UWL class 2, 360 x 540 mm	360 x 540 mm		220109
Toilet wall mounted Compact washdown model, UWL class 2, 360 x 480 mm	360 x 480 mm		220209
Toilet wall mounted Comfort washdown model, seat height + 50 mm, UWL class 2, 360 x 545 mm	360 x 545 mm		221509

## Starck 3 Toilet seat and cover # 0063890000

---

Toilet wall mounted Fixation clearance 230 mm, washdown model, UWL class 2, 360 x 540 mm	360 x 540 mm	220609
Toilet wall mounted washdown model, Durafix included, UWL class 1, 360 x 540 mm	360 x 540 mm	222509
Toilet wall mounted Compact washdown model, Durafix included, UWL class 1, 360 x 485 mm	360 x 485 mm	222709
Toilet wall mounted Duravit Rimless® rimless, washdown model, Durafix included, UWL class 1, 360 x 540 mm	360 x 540 mm	252709

*All drawings contain the necessary measurements which are subject to standard tolerances. They are stated in mm and are non-binding. Exact measurements, in particular for customised installation scenarios, can only be taken from the finished piece.*