



The Oventrop Quality Management System is certified to DIN-EN-ISO 9001

Connection fittings "Multiblock T" for two pipe heating systems

Technical information

Tender specification:

Oventrop connection fittings "Multiblock T" for regulation, isolation, draining and filling. Distance between pipe centres 50 mm.

Max. working temperature: 120°C
(for short periods up to 130°C)

Max. working pressure: 10 bar

Body made of nickel plated brass (marking on body "OV 2"), stem made of stainless steel with double O-ring seal.

3/4" supply and return pipe connection for Oventrop compression fittings.

White or chrome plated design cover made of plastic (accessory).

Function:

Combined with a thermostat (e.g. "Uni XH"), the Oventrop connection fittings "Multiblock T" are proportional regulators working without auxiliary energy. They regulate the room temperature by varying the flow volume of heating water.

The radiator is drained at the isolating and draining screw with the help of the service tool, item no. 109 05 51.

Advantages:

Oventrop connection fitting "Multiblock T" for the connection to all radiators with a distance of 50 mm between the pipe centres.

- for regulation
- for isolation
- for draining
- for filling
- flow rate presettable

Free choice of connection to the supply or return pipe, i.e. the fitting is bi-directional (junction points in the pipework are avoided).

Application:

Two pipe central heating systems PN 10, max. flow temperature 120°C (for short periods up to 130°C) irrespective of the type of heat source, for heating water according to VDI 2035.

For use on radiators with supply and return pipe connection.

Installation can be carried out with any standard pipe material.

Oventrop offers suitable compression fittings for copper, stainless steel, precision steel and plastic pipes as well as the composition pipe "Copipe".

The corresponding installation instructions are to be observed.

Models:

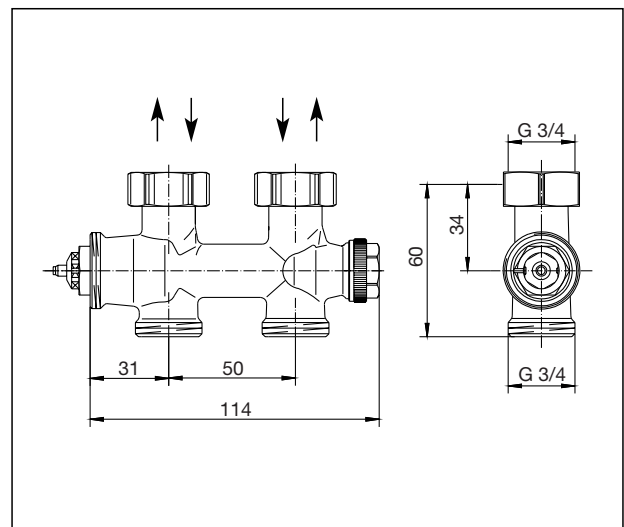
"Multiblock T" with presetting, two pipe fitting.

Straight and angle pattern, for the connection to radiators with 3/4" male thread or 1/2" female thread.

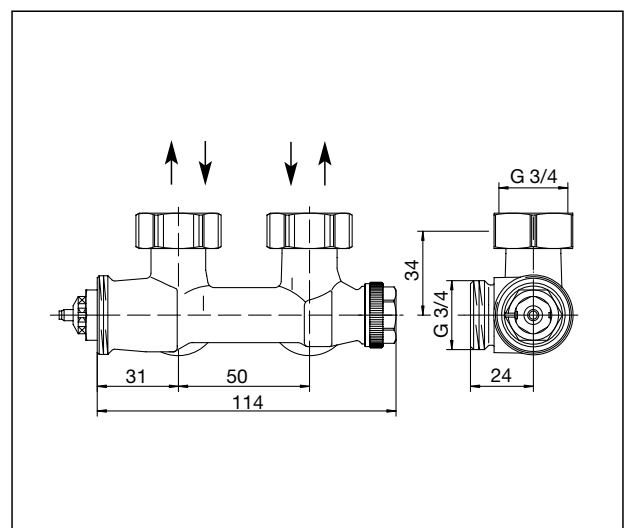
Distance between pipe centres: 50 mm



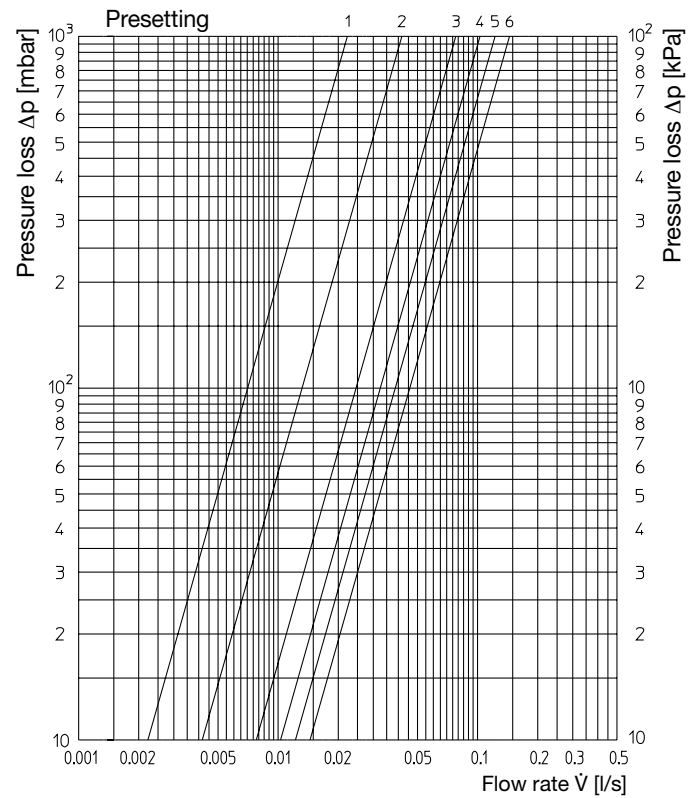
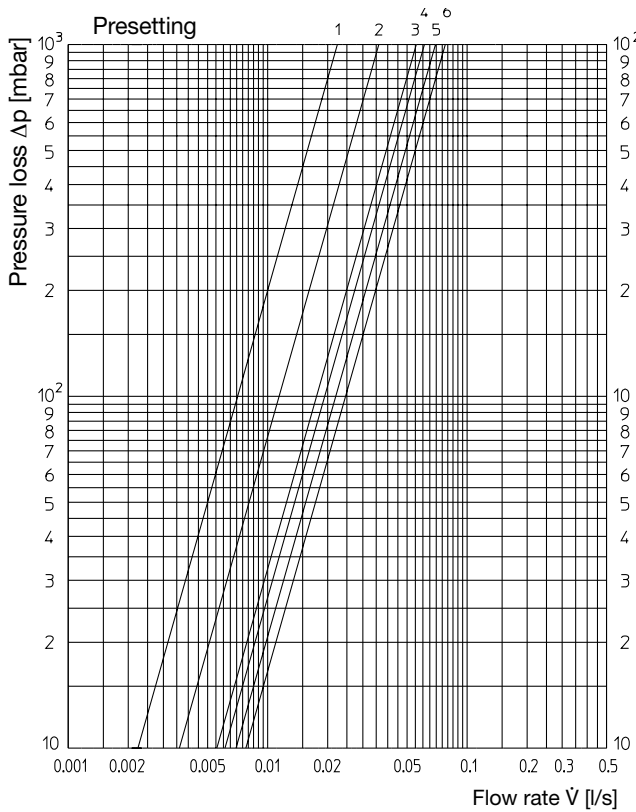
Dimensions:



Straight pattern



Angle pattern



Performance data:

Presetting	1	2	3	4	5	6
k_V value at 1 K P-deviation	0,08	0,13	0,20	0,22	0,25	0,28
k_V value at 1,5K P-deviation	0,08	0,15	0,26	0,32	0,37	0,42
k_V value at 2K P-deviation	0,08	0,15	0,28	0,37	0,44	0,52
k_{Vs}						0,75

Subject to technical modification without notice.

Product range 1
ti 127-1/10/MW
Edition 2006

OVENTROP UK LTD.
Unit I – The Loddon Centre
Wade Road
Basingstoke, Hampshire RG24 8FL
Great Britain
Telephone (01256) 330441
Telefax (Sales) (01256) 330525
Telefax (General) (01256) 470970
E-Mail sales@oventrop.co.uk

F. W. OVENTROP GmbH & Co. KG
Paul-Oventrop-Straße 1
D-59939 Olsberg
Germany
Telephone (02962) 82-0
Telefax (02962) 82-450
E-Mail mail@oventrop.de
Internet www.oventrop.de